



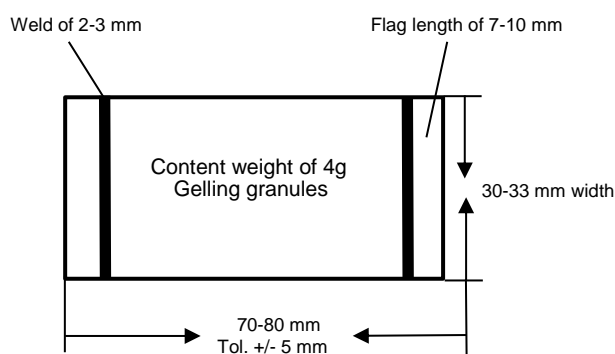
KAPP-CHEMIE GmbH & Co. KG  
Industriestr. 2 -4, D-56357 Miehlen

## Product specification

Product name: **Kappasorb 4g Beutel**

Version of: 16.08.18

## Scheme 4g gelling granules sachet



## Product parameter

Gelling granules:	Natrium polyacrylate, cross-linked
Swelling time PV 2700-148:	< 120 s
Soluble film:	PVA film 35 – 40 µm, limited cold resistant
Dissolving time:	< 20 s
Tear strength:	
Cross seam:	> 9 N
Longitudinal seam:	> 12 N

## Measures

Sachet length:	70 – 80 mm ( film beginning to film end) tolerance $\pm$ 5 mm
Width cross seam:	30 – 33 mm tolerance $\pm$ 3 mm
Length of flags:	7 – 10 mm
Weld:	2 – 3 mm
Content weight:	4g tolerance + 0,5g

## In process control:

Stress test: checking cross and longitudinal seams, turning, bending and kneading sachet, checking film for holes and any leakage of product

## Packaging

Cardboard box white, contains 7 x 100 pc. 4g soluble sachets in PE inner closure bags (= 700 sachets).

Computer printout, valid without signature

We guarantee the contractual quality of our product within the scope of our "General Conditions of Sale and Delivery". The above specification parameters reflect the criteria of quality checks. They do not constitute a legal warranty of certain properties of the product or its suitability for a correct purpose. For products supplied by us in metal packaging, shelf life is limited to 180 days after delivery due to possible rust formation.